

The hidden ransom inside a cheap domain

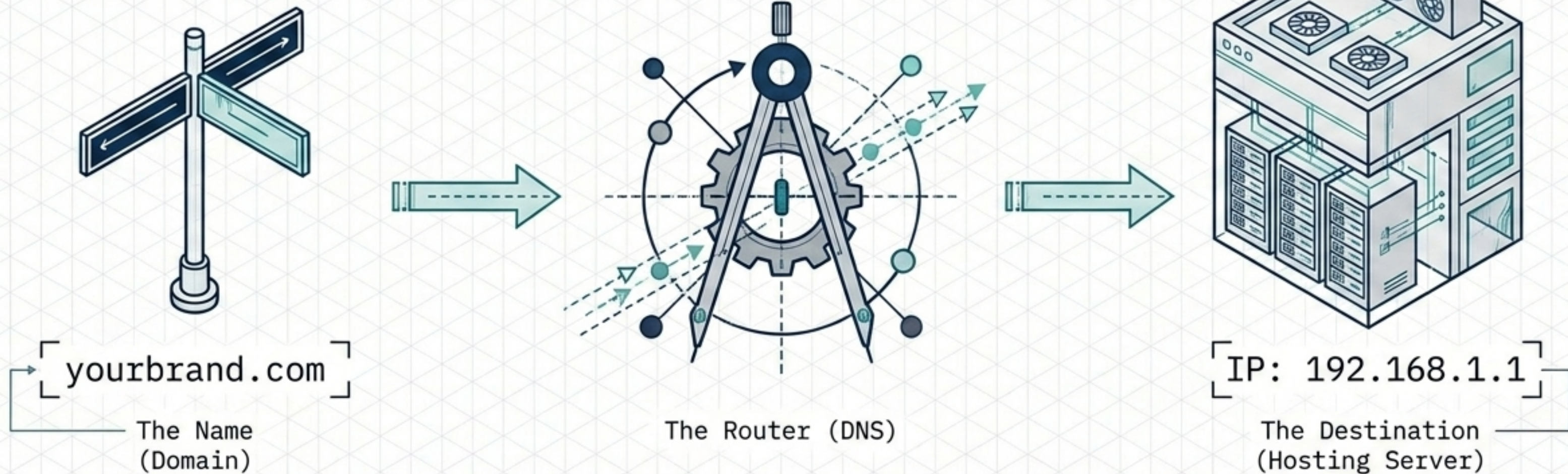
A domain name is a temporary lease. Extremely low entry prices are a loss-leader strategy to capture your brand equity.



**You aren't buying a name. You are buying trust.
An unverified registrar holds your brand
equity hostage once you succeed.**

How domains find their homes

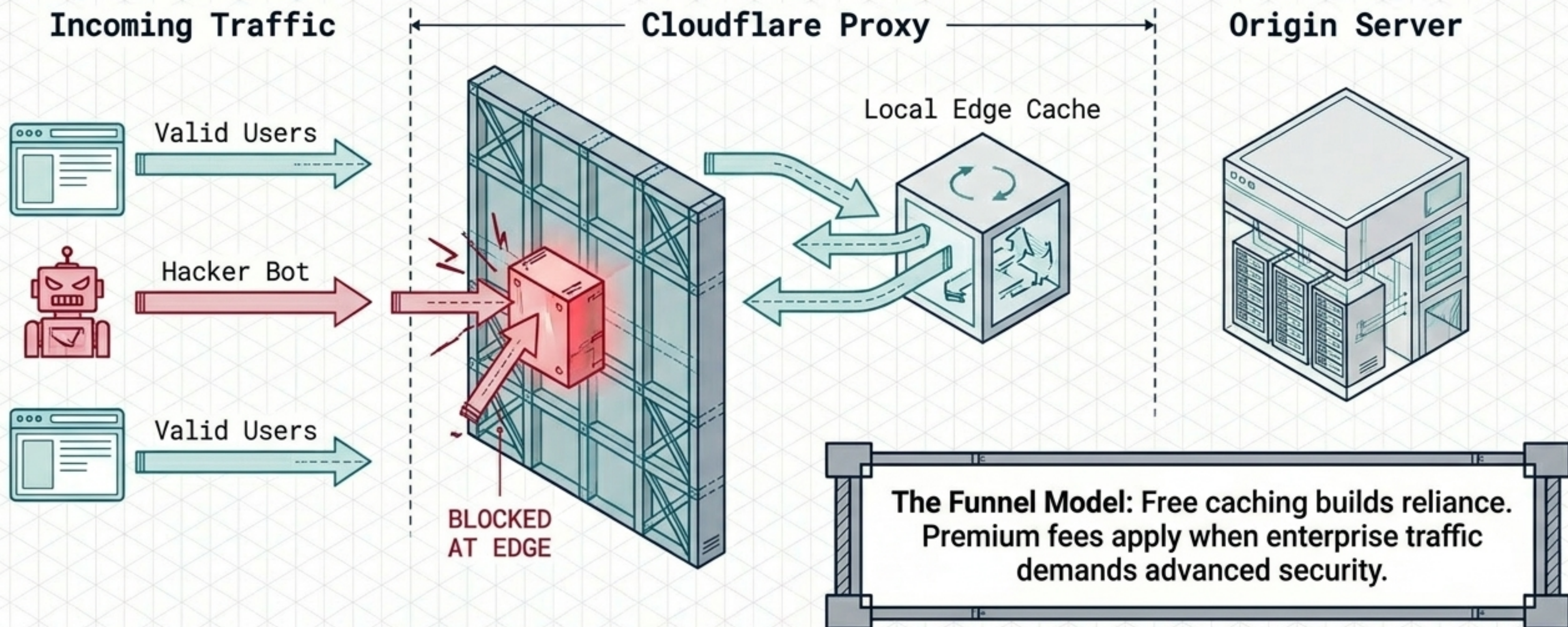
A domain needs a DNS to act as a permanent bridge between the name and the continuous 24/7 computer hosting your files.



The user searches the Name. The DNS routes the signal.
The IP Address delivers the actual application.

The ultimate middleman and security shield

Cloudflare intercepts traffic, blocking malicious bots before they touch your server, keeping your infrastructure cold, secure, and fast.









The encryption pipeline and business liability

SSL encryption secures data in transit, but service types dictate organizational responsibility.



SSL mathematically scrambles data in transit.

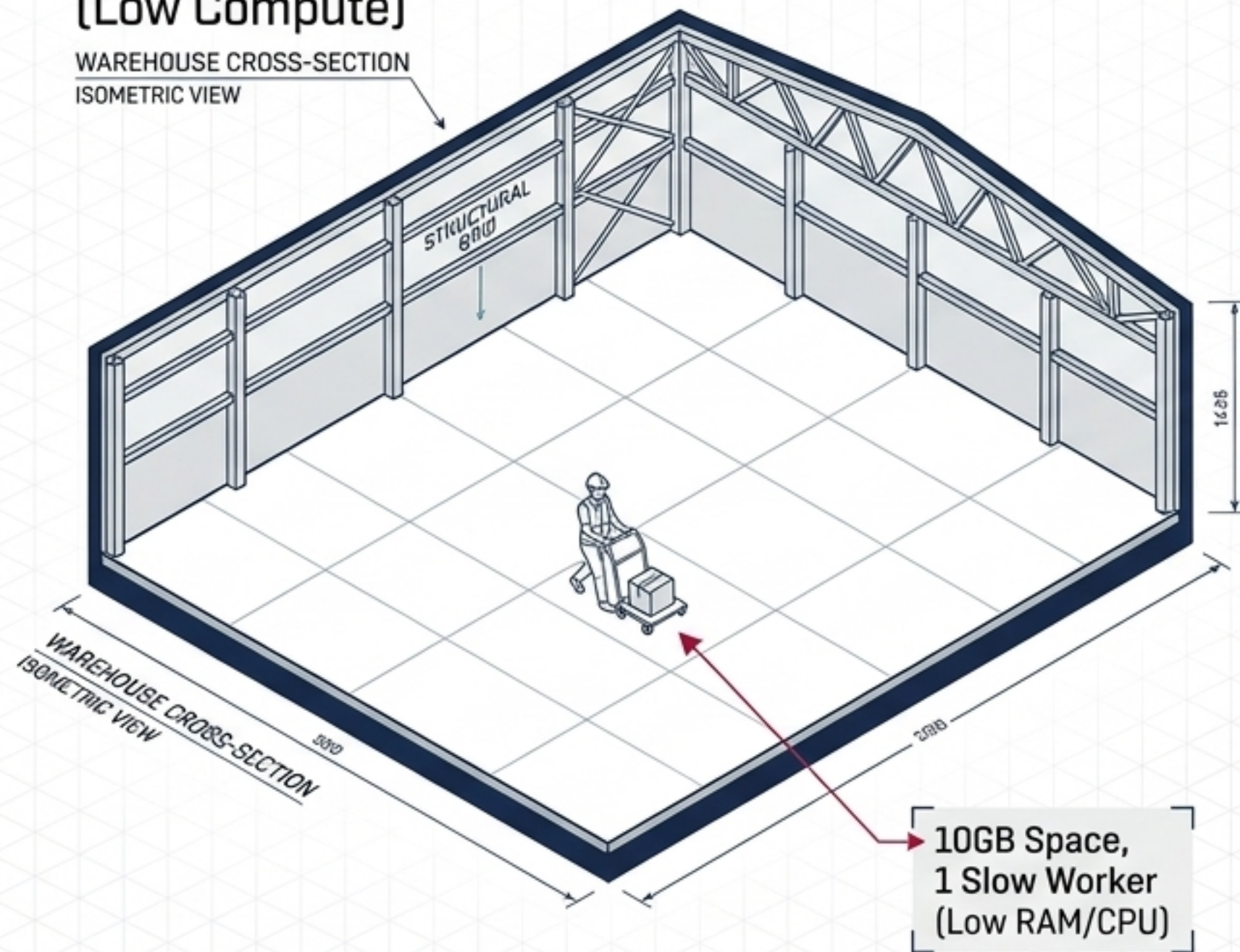
Free SSL	Paid SSL
<ul style="list-style-type: none"> Use Case: Great for early stages and static sites. Encryption: Basic transit scrambling. Zero Liability: If data leaks, the provider owes you nothing.	<ul style="list-style-type: none"> Use Case: Essential for high-volume e-commerce. Encryption: Advanced organization validation. Guaranteed Liability: Providers offer financial warranties if customer payment data is compromised.

Storage space does not equal performance

Raw storage is irrelevant without the compute power (RAM & CPU) to process it.

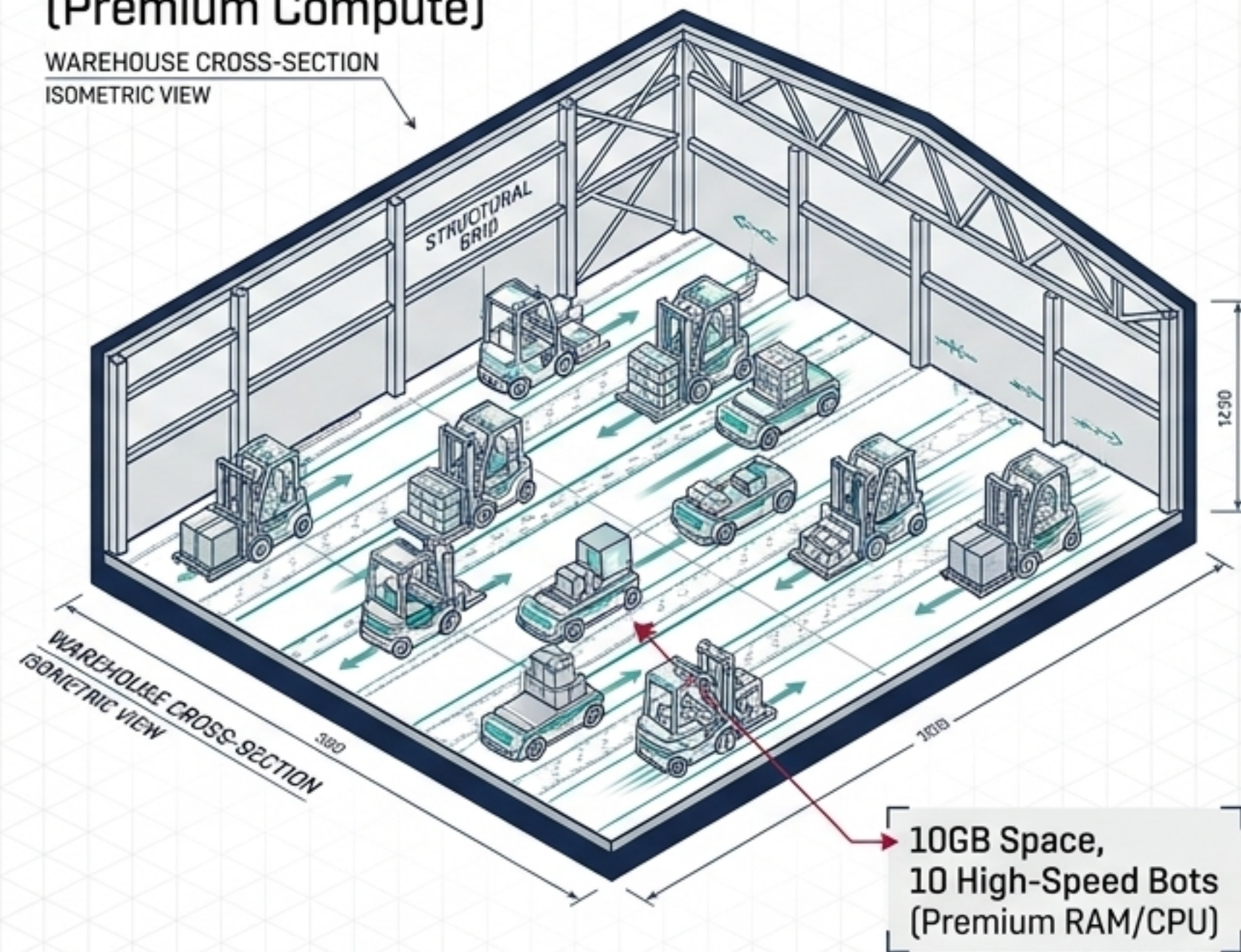
The \$2 Server (Low Compute)

WAREHOUSE CROSS-SECTION
ISOMETRIC VIEW




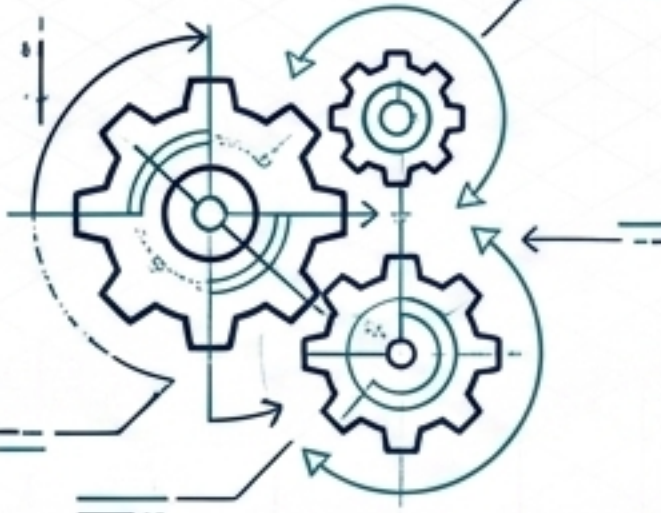
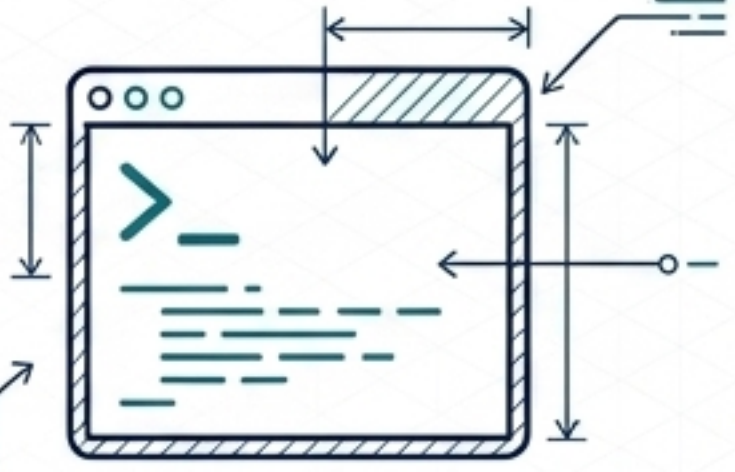
The \$20 Server (Premium Compute)

WAREHOUSE CROSS-SECTION
ISOMETRIC VIEW



The control panel matrix

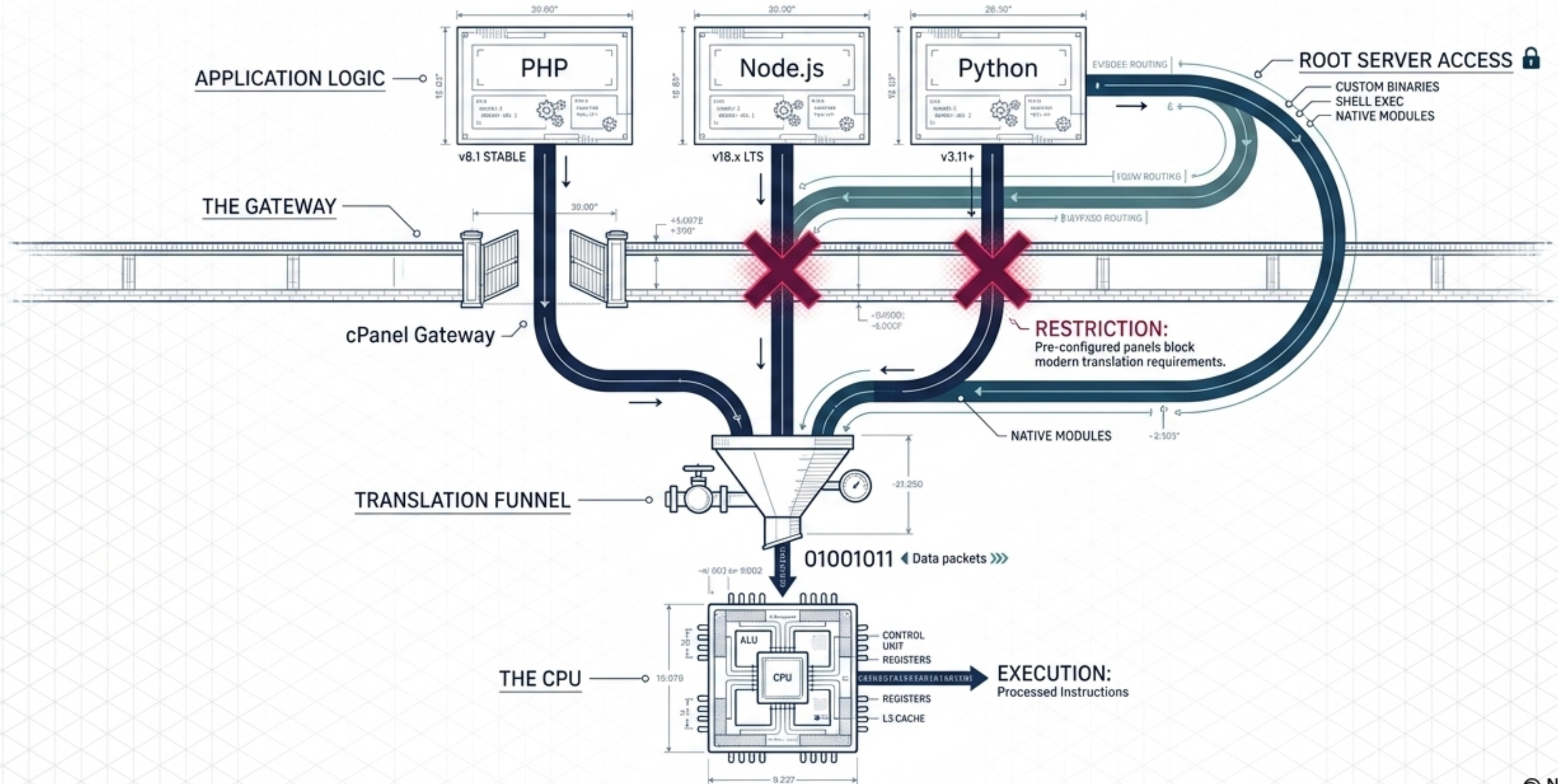
The choice of server interface directly impacts application speed, security, and developer control.

DIAGNOSTIC MATRIX v1.0	RESOURCE ALLOCATION VIEW	SECURITY LEVEL INDICATOR
		
<h2>cPanel</h2> <ul style="list-style-type: none">• Focus: Beginner-friendly, highly visual, built for PHP and WordPress.⚠ Tradeoff: Heavy, restrictive, and consumes significant server resources.	<h2>CyberPanel / aaPanel</h2> <ul style="list-style-type: none">• Focus: Built specifically for Linux/VPS servers. Fast and lightweight.⚠ Tradeoff: Requires more technical knowledge to operate safely.	<h2>Root Access (Terminal)</h2> <ul style="list-style-type: none">• Focus: Raw command line. Maximum security and infinite customization.⚠ Tradeoff: Strictly for pro developers building custom stacks. No graphical safety nets.

SECURITY LEVEL INDICATOR

Why advanced stacks require custom environments

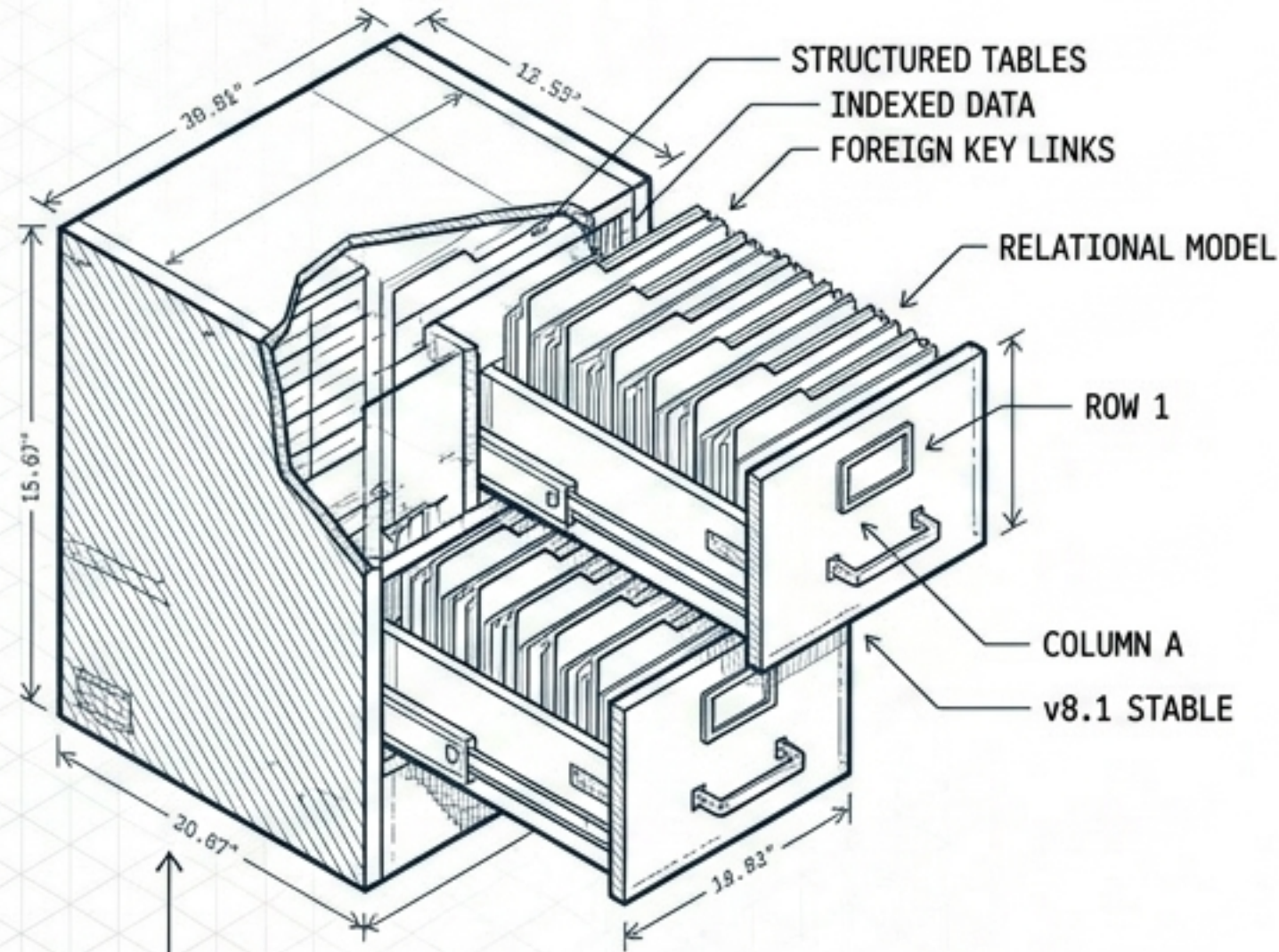
CPUs only read binary. Pre-configured panels block modern translation requirements.



Organizing the data engine

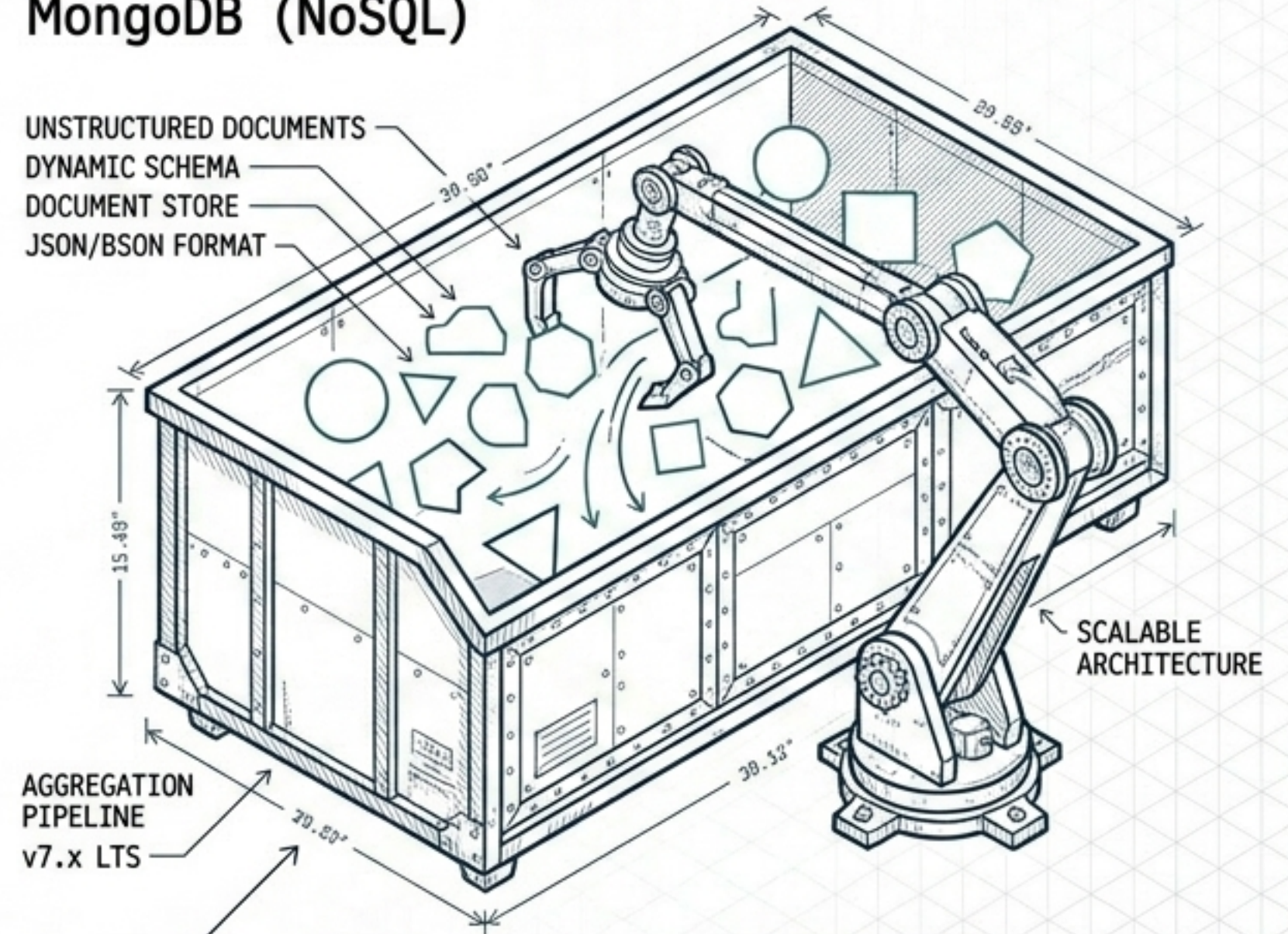
The database acts as the secure vault for transactions. Architecture depends on the framework.

MySQL (Relational)



Structured tables. The perfect pair for Laravel/PHP logic.

MongoDB (NoSQL)

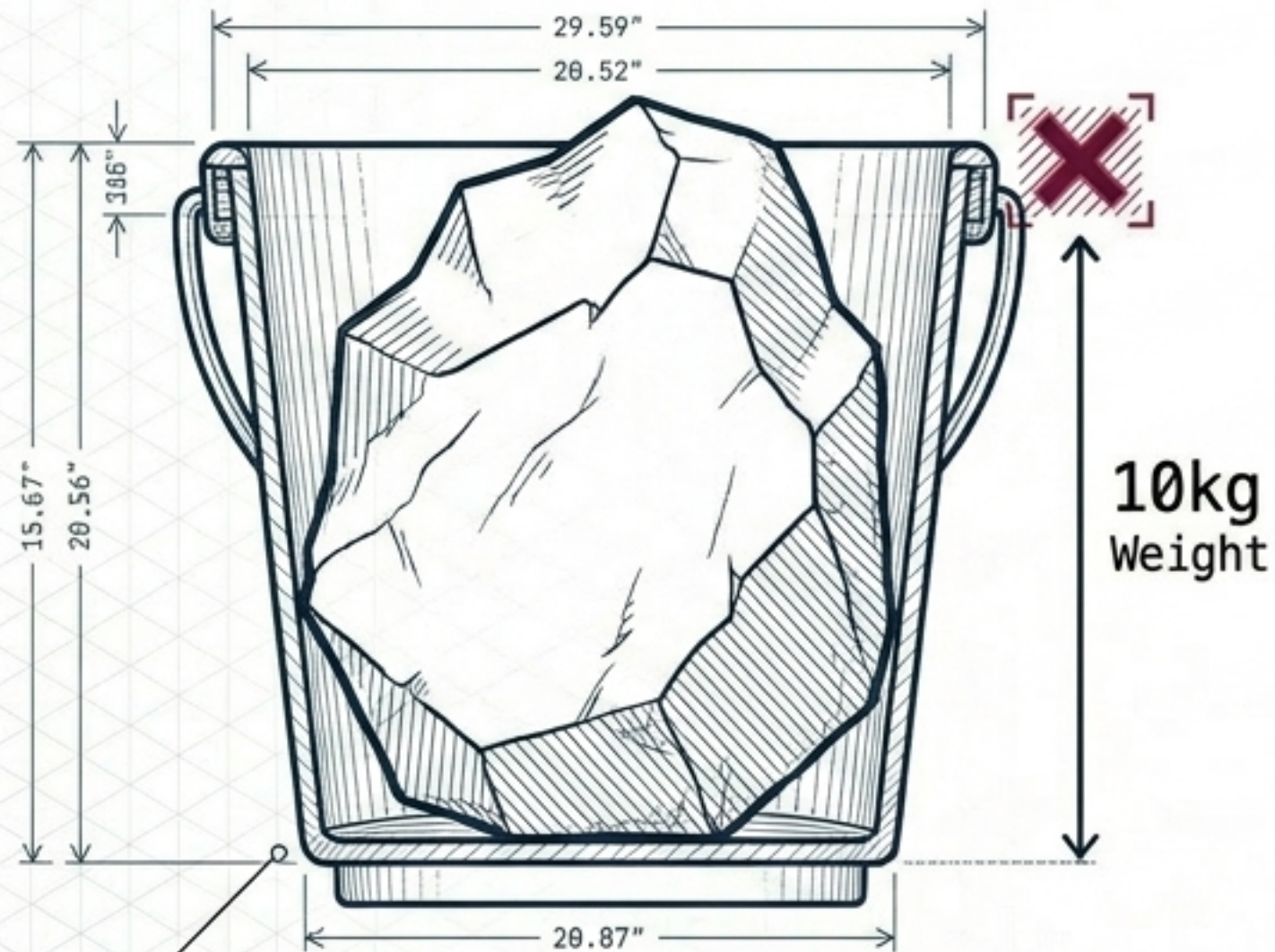


Unstructured documents. Built to handle massive dynamic data via Node.js.

The capacity paradox: Size vs. Volume

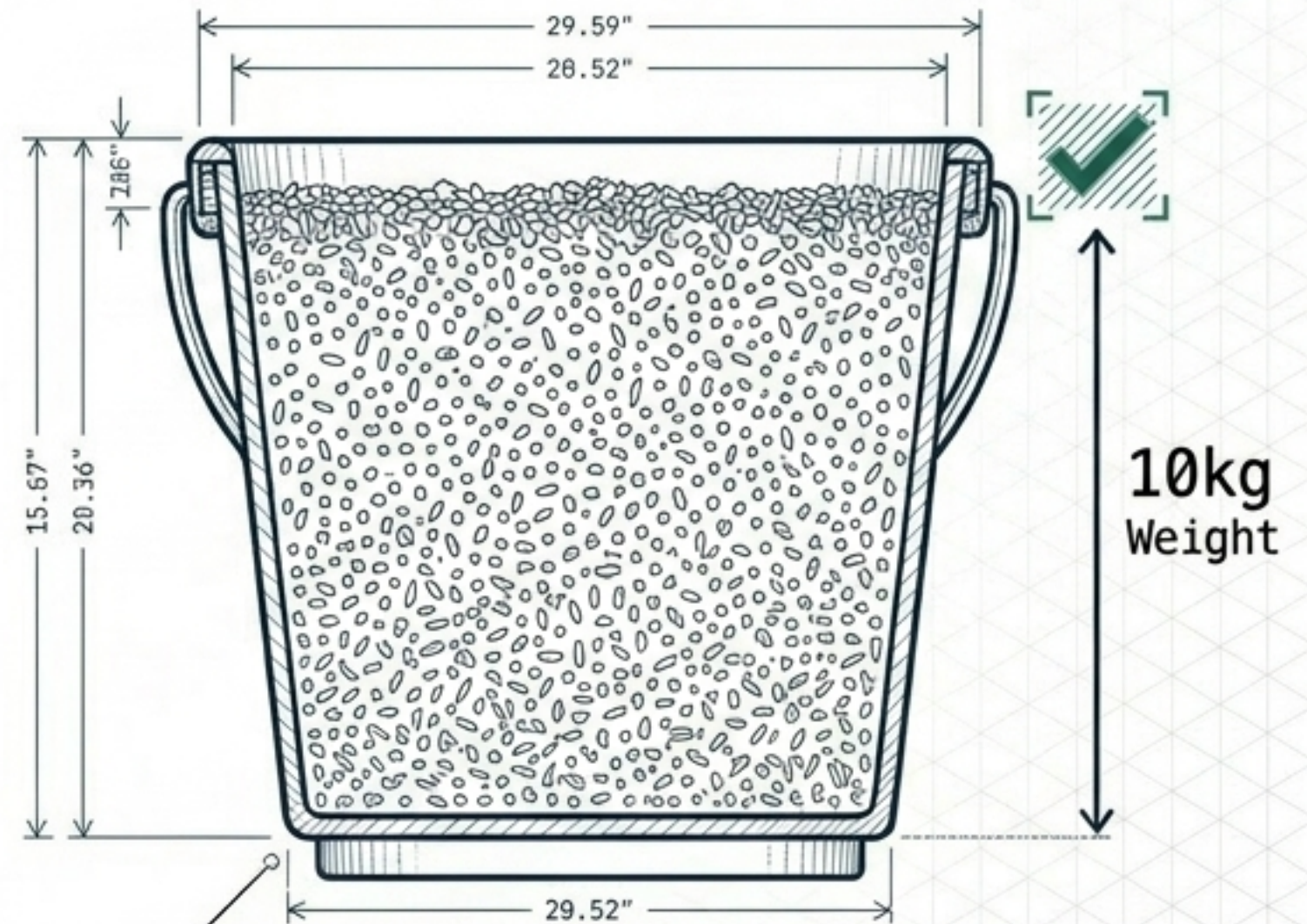
A 256MB limit restricts volume, not just weight. Bad formatting exhausts limits instantly.

Bucket A: Bad Formatting



Heavy, unoptimized data files instantly trigger Database Full errors.

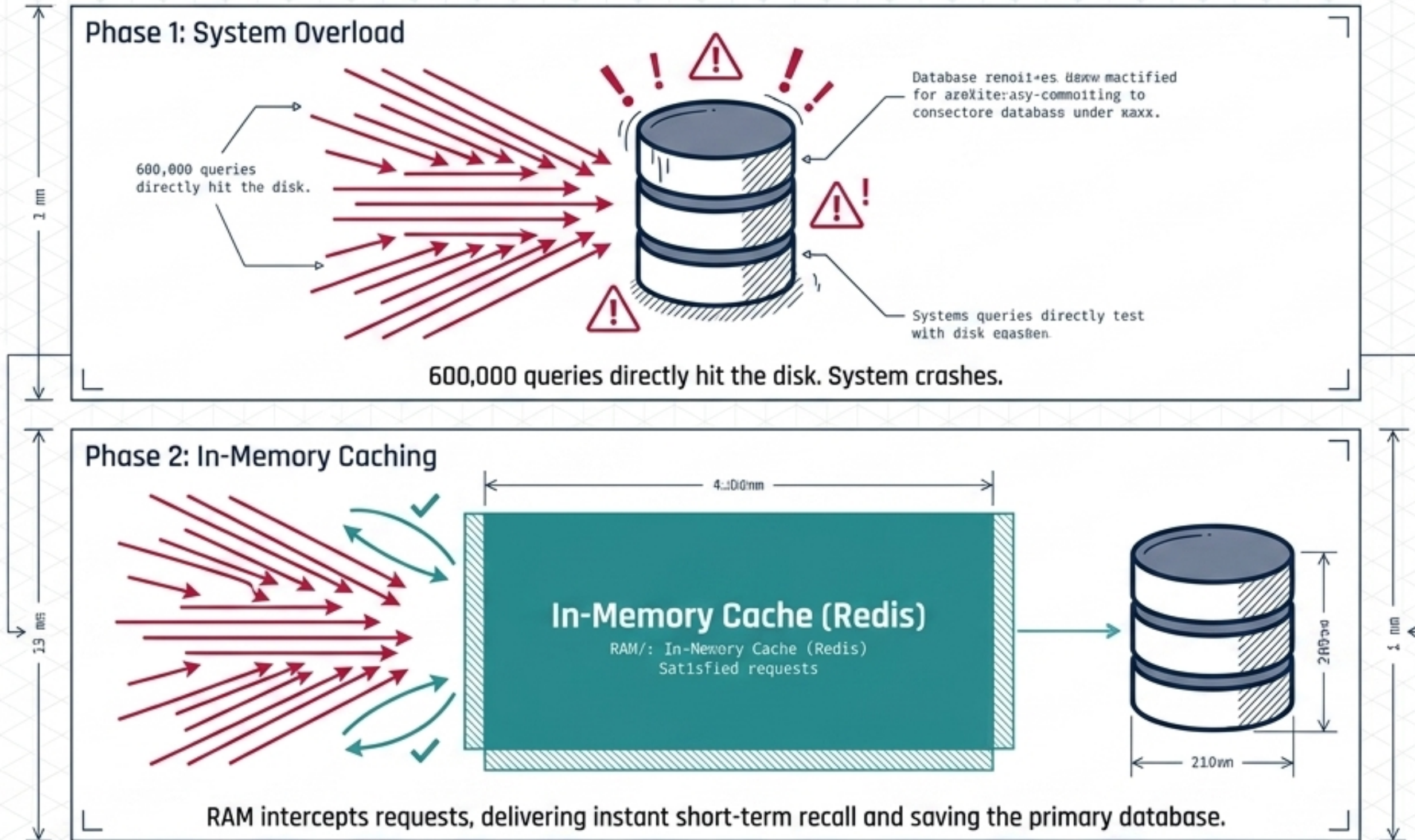
Bucket B: Optimized Text Data



Millions of optimized data rows fit seamlessly into the exact same InnoDB storage limits.

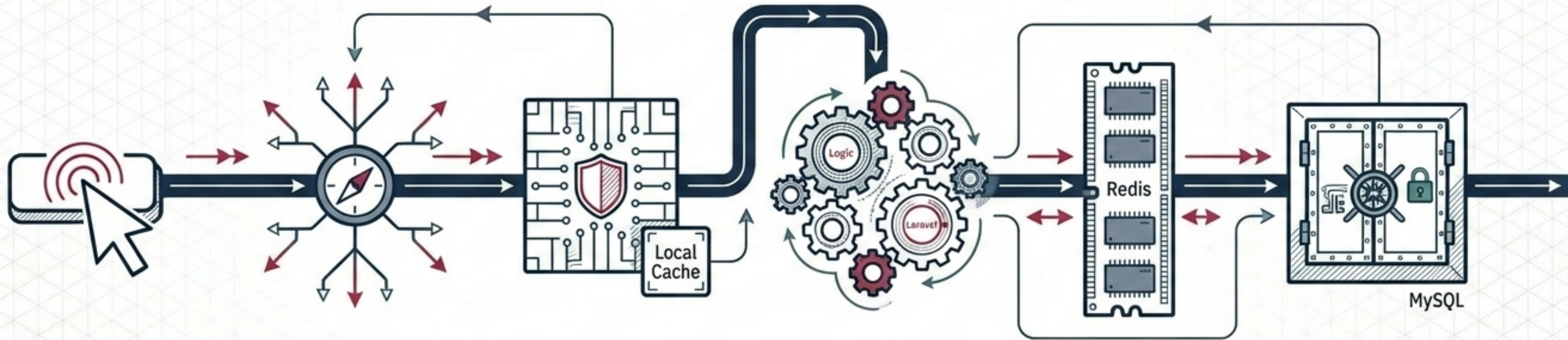
Surviving the traffic spike with short-term memory

Forcing the database to repeatedly search for the same files will crash the system under scale.



The Life of a Click

The perfect synchronization of a digital business architecture.



1. The User

2. DNS Router

3. Cloudflare Shield

4. Framework

5. Cache Layer

6. Database



Icon: Cursor clicking



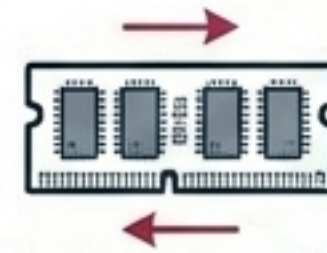
Icon: Compass/Hub



Icon: Proxy Wall + Local Cache



Icon: Laravel Logic Gears



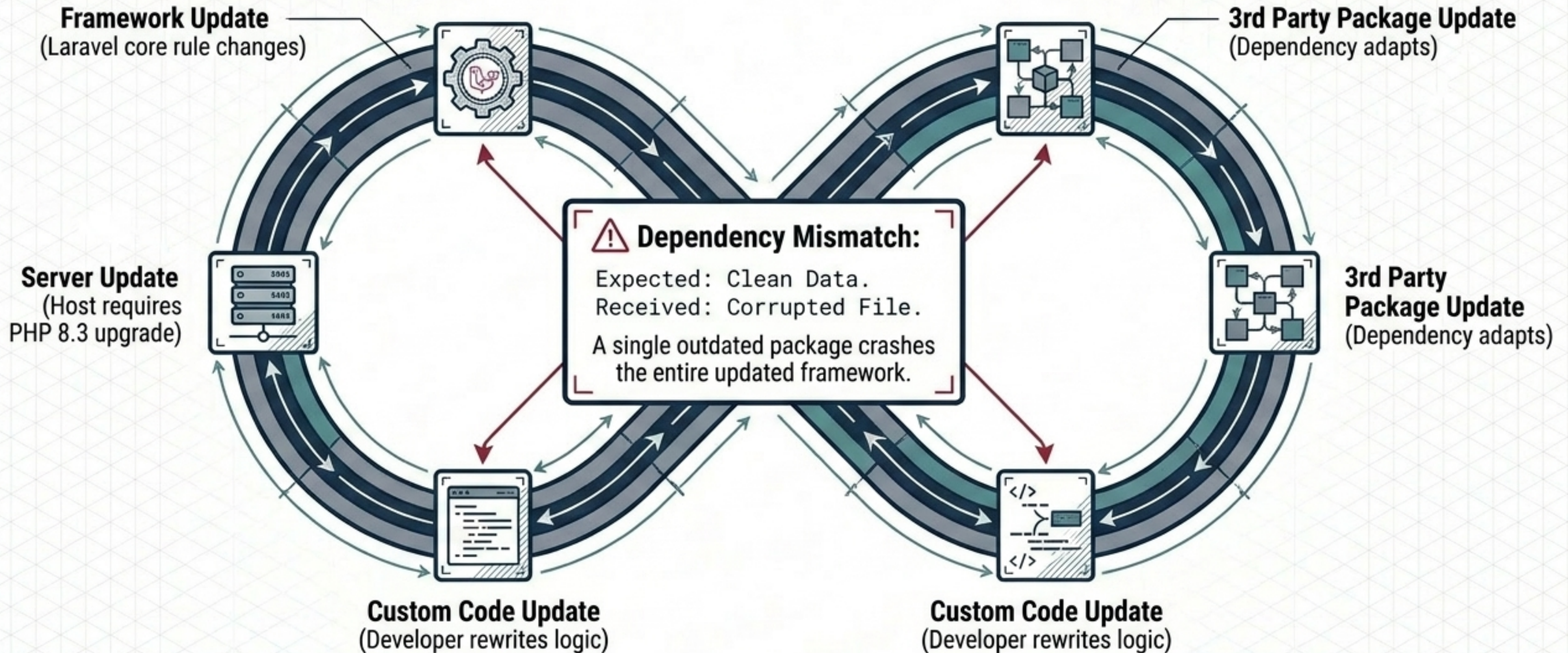
Icon: Redis RAM Module



Icon: MySQL Vault

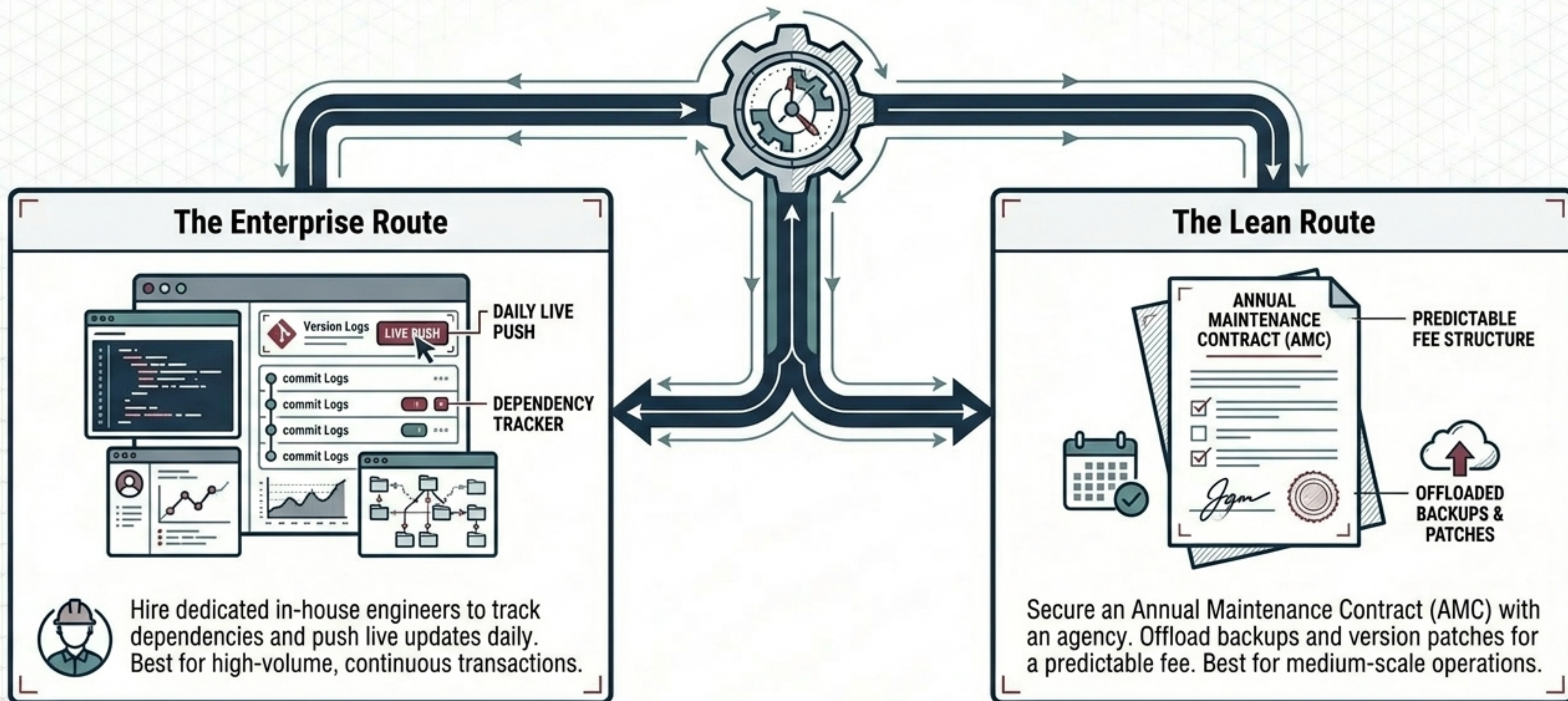
The endless loop of software evolution

Developers don't break your site; the ecosystem evolves. If one link fails to update, the system collapses.



Escaping the maintenance trap

Shift the burden of the update loop off founders and onto dedicated systems.



The system is yours. The decisions are yours.

A great developer is a guide who presents the technical truth—clouds, constraints, and updates—so you can make informed business choices.



Understand the mechanics, **own the strategy**, and **partner** with those who **empower your independence**.